

FIG. 1

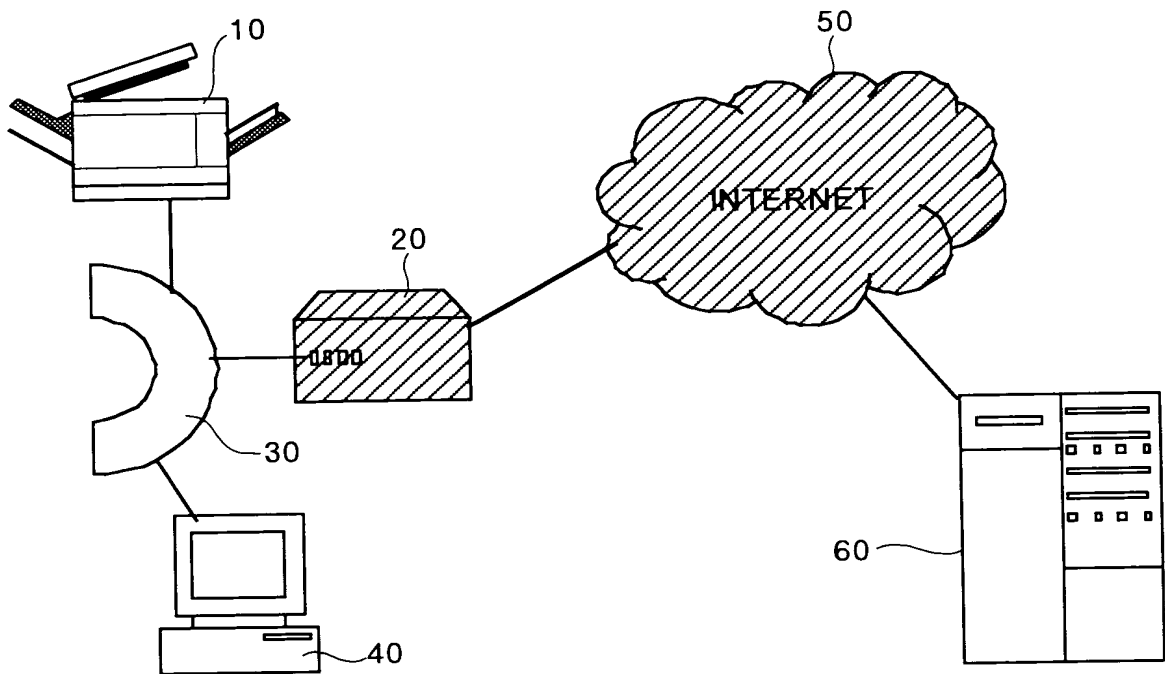


FIG.2

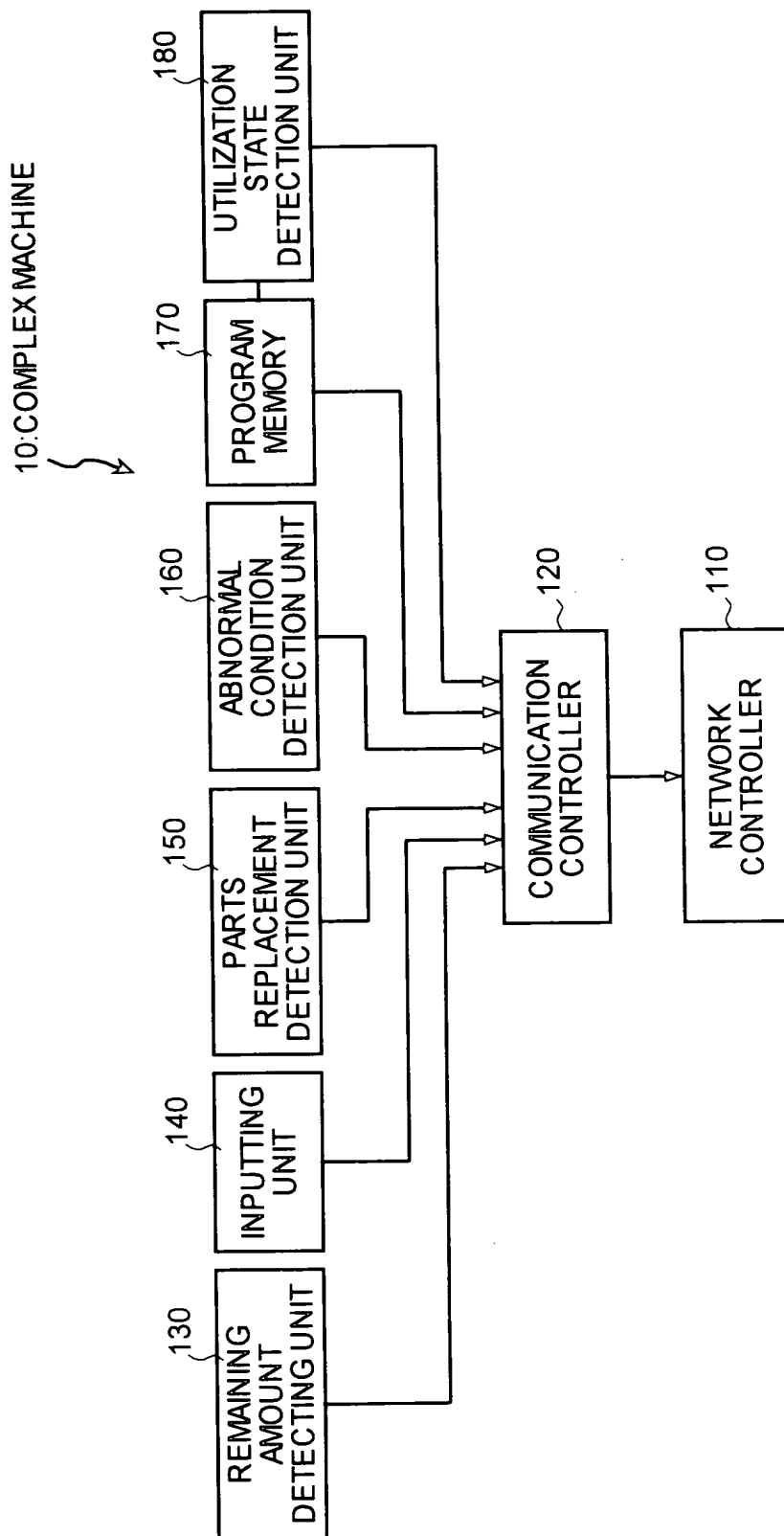


FIG.3

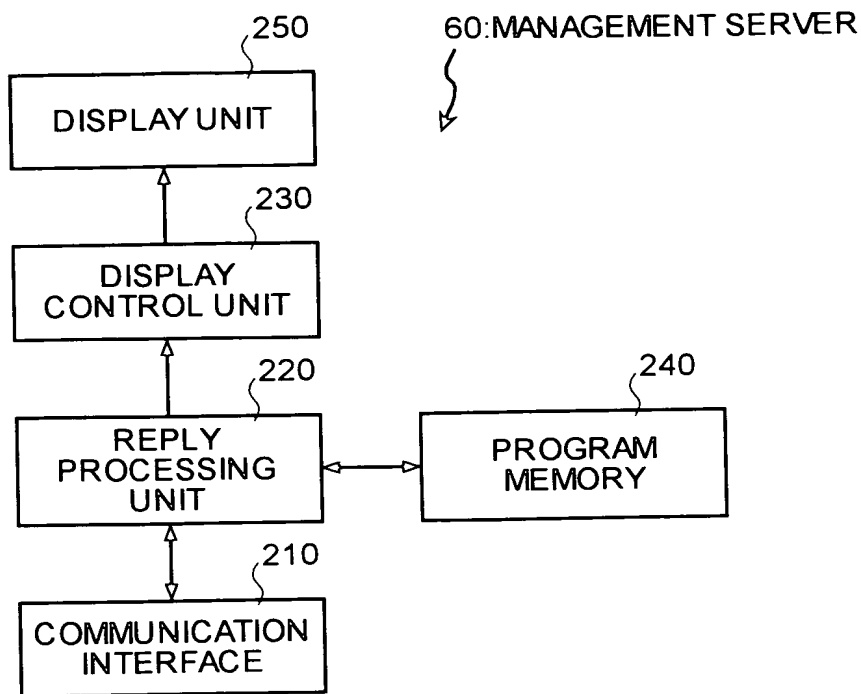
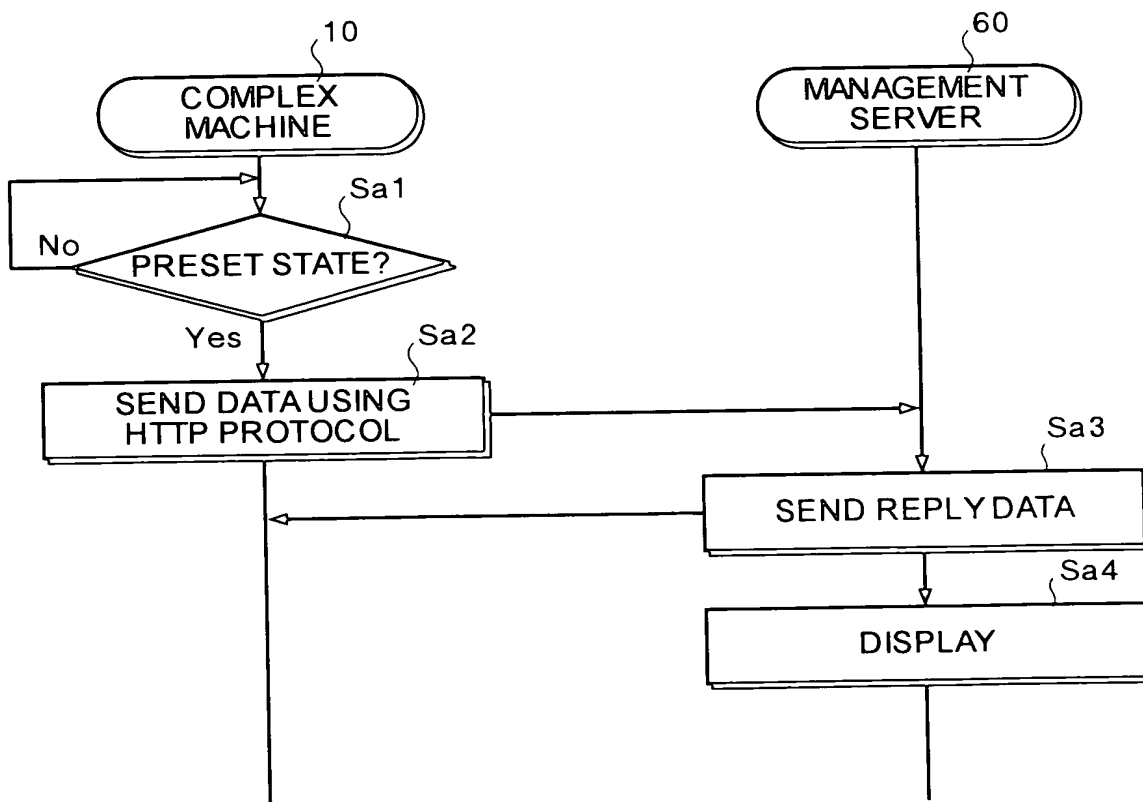


FIG.4



## FIG.5

```
GET /cgi-bin/cgi.remoteservice?U=123456&P=341 HTTP/1.0
```

## FIG.6

```
HTTP/1.0 200 Document follows  
MIME-Version: 1.0  
Server: CERN/3.0  
Date: Saturday, 29-Jul-2002 14:16:02 GMT  
Content-Type: text/html  
Content-Length: 99
```

```
<TITLE> REMOTE SERVICE Ver 0.1</TITLE>  
  <H1>RECEPTION NUMBER 789012 </H1>  
  <H1>TONER END</H1>
```

## FIG.7

```
GET /cgi-bin/cgi.remoteservice?U=123456&P=531 HTTP/1.0
```

## FIG.8

```
HTTP/1.0 200 Document follows  
MIME-Version: 1.0  
Server: CERN/3.0  
Date: Saturday, 30-Jul-2002 17:20:50 GMT  
Content-Type: text/html  
Content-Length: 99  
  
<TITLE> REMOTE SERVICE Ver 0.1</TITLE>  
  <H1>RECEPTION NUMBER 798537</H1>  
  <H1>TONER BOTTLE SHOULD BE REPLACED</H1>
```

## FIG.9

GET /cgi-bin/cgi.remoteservice?U=123456&P=784 HTTP/1.0

## FIG.10

HTTP/1.0 200 Document follows  
MIME-Version: 1.0  
Server: CERN/3.0  
Date: Saturday, 01-Aug-2002 11:25:35 GMT  
Content-Type: text/html  
Content-Length: 99  
  
<TITLE> REMOTE SERVICE Ver 0.1</TITLE>  
 <H1>RECEPTION NUMBER 897321</H1>  
 <H1>ABNORMAL CONDITION IN FIXING DRUM</H1>

## FIG.11

GET /cgi-bin/cgi.remoteservice?U=123456&T=MANY SCUMMINGS HTTP/1.0

## FIG.12

HTTP/1.0 200 Document follows  
MIME-Version: 1.0  
Server: CERN/3.0  
Date: Saturday, 02-Aug-2002 13:37:41 GMT  
Content-Type: text/html  
Content-Length: 99

<TITLE> REMOTE SERVICE Ver 0.1</TITLE>  
<H1>RECEPTION NUMBER 957649</H1>  
<H1>MANY SCUMMINGS</H1>

## FIG.13

```
GET /cgi-bin/cgi.remoteservice?U=123456&E=Type2&U=2 HTTP/1.0
```

## FIG.14

```
HTTP/1.0 200 Document follows  
MIME-Version: 1.0  
Server: CERN/3.0  
Date: Saturday, 02-Aug-2002 15:37:41 GMT  
Content-Type: text/html  
Content-Length: 99
```

```
<TITLE> REMOTE SERVICE Ver 0.1</TITLE>  
<H1>RECEPTION NUMBER 98642</H1>  
<H1>TYPE2 TWO BOTTLES OF TONER</H1>
```



9/10

## FIG. 15

GET /cgi-bin/cgi.checkupdate?U=123456 HTTP/1.0

## FIG. 16

HTTP/1.0 200 Document follows  
MIME-Version: 1.0  
Server: CERN/3.0  
Date: Saturday, 02-Aug-2002 15:37:41 GMT  
Content-Type: Multipart/Mixed; boundary="----Next Part-----"

----Next Part-----  
Content-Type: text/html  
Content-Length: 99

<TITLE> REMOTE SERVICE Ver 0.1</TITLE>  
<H1>RECEPTION NUMBER 1256894</H1>  
<H1>CONTROLLER UPDATE</H1>

----Next Part-----  
Content-Type: Application/Code  
Content-Transfer-Encoding: base64  
Content-Description: MFP Controller Program Ver 3.11  
Content-Disposition: attachment; filename="setup311"

300 { LS0tIGRyYWZ0LXIhbWFtb3RvLWNoYXJzZXQtaXNvLTlwMjltanA  
tMDAudHh0  
IE5vdiAgNyAwNT01NDoxMyAxOTk3CisrKyBkcmFmdC15YW1hb  
W90by1jaGFy  
MDIyLWpwLTAwLnR4dAIGcmkgTm92ICA3IDEwOjAwOjIwIDE5O  
TcKQEAglTU2

----Next Part-----

## FIG.17

```
GET /cgi-bin/cgi.remoteservice?U=123456&TC=46456&BC=34842&CC=11614
HTTP/1.0
```

## FIG.18

```
HTTP/1.0 200 Document follows
MIME-Version: 1.0
Server: CERN/3.0
Date: Saturday, 02-Aug-2002 15:37:41 GMT
Content-Type: text/html
Content-Length: 99
```

```
<TITLE> REMOTE SERVICE Ver 0.1</TITLE>
  <H1>RECEPTION NUMBER 98631</H1>
  <H1>TOTAL NUMBER OF IMAGES OUTPUT 46456
    NUMBER OF MONOCHROME IMAGES OUTPUT 34842
    NUMBER OF COLOR IMAGES OUTPUT 11614</H1>
```